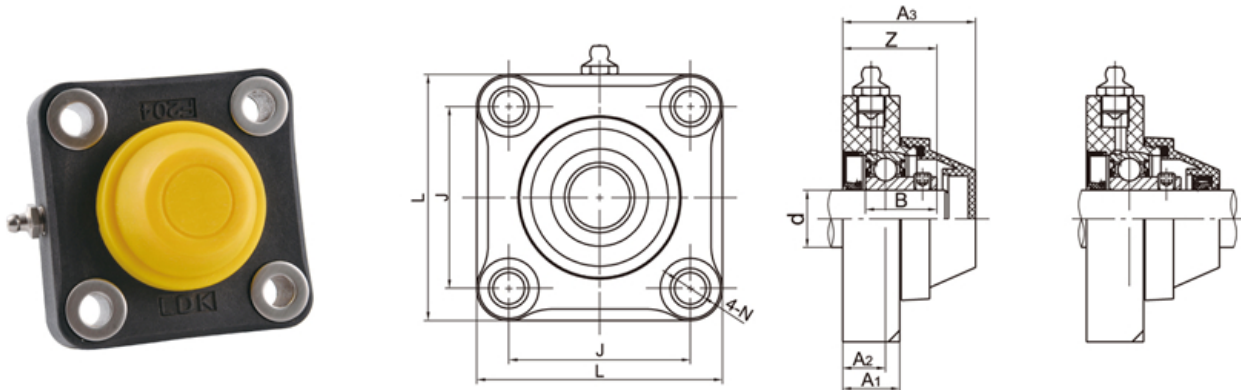


# LDK® Water-Proof Thermoplastic Housed Units

WP-SSBF Water-Proof thermoplastic housed units, 4-bolt flange



Unit No.	Shaft Dia		Dimensions(mm)								Bolt Size (mm)	Housing Weight (kg)
	d		L	J	A <sub>2</sub>	A <sub>1</sub>	N	B	Z	A <sub>3</sub>		
	(in)	(mm)										
WP-SSBF204 204-12	3/4	20	86	63.5	15	22.5	11	25	36.3	49.5	M10	0.36
WP-SSBF205 205-14 205-15 205-16	7/8 15/16 1	25	98	70	16.8	22.5	11	27	36.3	49.5	M10	0.38
WP-SSBF206 206-17 206-18 206-19 206-20	1-1/16 1-1/8 1-3/16 1-1/4	30	110	83	20	26	11	30	41	55	M10	0.56
WP-SSBF207 207-20 207-21 207-22 207-23	1-1/4 1-5/16 1-3/8 1-7/16	35	120	92	19.5	26	11	32	45	59	M10	0.77
WP-SSBF208 208-24 208-25	1-1/2 1-9/16	40	131	102	22	30	11	34	47.5	65.5	M10	0.99

MODE OF LOAD	BREAKING POINT OF HOUSINGS(N)				
	204	205	206	207	208
	17091	20142	20932	21690	22707
	8820	10350	16020	16560	16740
	2533	3329	3922	4100	4230

Notes: Anti-Bacteria Protection Series is available by adding prefix "AB" as designation. Ordering example: ABWP-SSBF204.