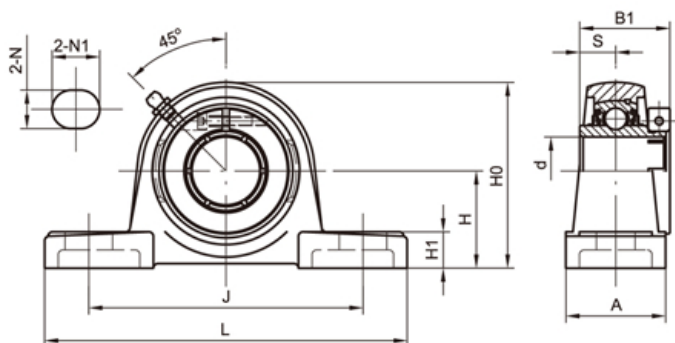


UEP Standard duty, Wider inner ring bearing, Concentric locking



Unit No.	Shaft Dia		Dimensions(mm)										Bolt Size (mm)	Weight (kg)
	d		H	L	J	A	N	N ₁	H ₁	H ₀	B ₁	S		
	(in)	(mm)												
UEP204 204-12	3/4	20	33.3	127	95	38	13	19	14	64	33	12.7	M10	0.68
UEP205 205-14 205-15 205-16	7/8 15/16 1	25	36.5	140	105	38	13	19	15	71	35.4	14.3	M10	0.86
UEP206 206-17 206-18 206-19 206-20	1-1/16 1-1/8 1-3/16 1-1/4	30	42.9	160	121	44	17	21	16	82	39.8	15.9	M14	1.2
UEP207 207-20 207-21 207-22 207-23	1-1/4 1-5/16 1-3/8 1-7/16	35	47.6	167	126	48	17	21	17	92	43.9	17.5	M14	1.6
UEP208 208-24 208-25	1-1/2 1-9/16	40	49.2	180	137	52	17	21	18	99	50.2	19	M14	2.0
UEP209 209-26 209-27 209-28	1-5/8 1-11/16 1-3/4	45	54	190	146	54	17	21	20	106	50.2	19	M14	2.32
UEP210 210-30 210-31 210-32	1-7/8 1-15/16 2	50	57.2	206	159	60	20	25	21	114	52.6	19	M16	2.91
UEP211 211-32 211-34 211-35	2 2-1/8 2-3/16	55	63.5	217	172	60	20	25	23	125	56.6	22.2	M16	3.65
UEP212 212-36 212-38 212-39	2-1/4 2-3/8 2-7/16	60	69.9	238	186	70	20	25	24	137	66.6	25.4	M16	4.87

Notes: 1. Grease fittings available at 90° positions.

2. Bearing housing solid base optional, add suffix SB as designation.